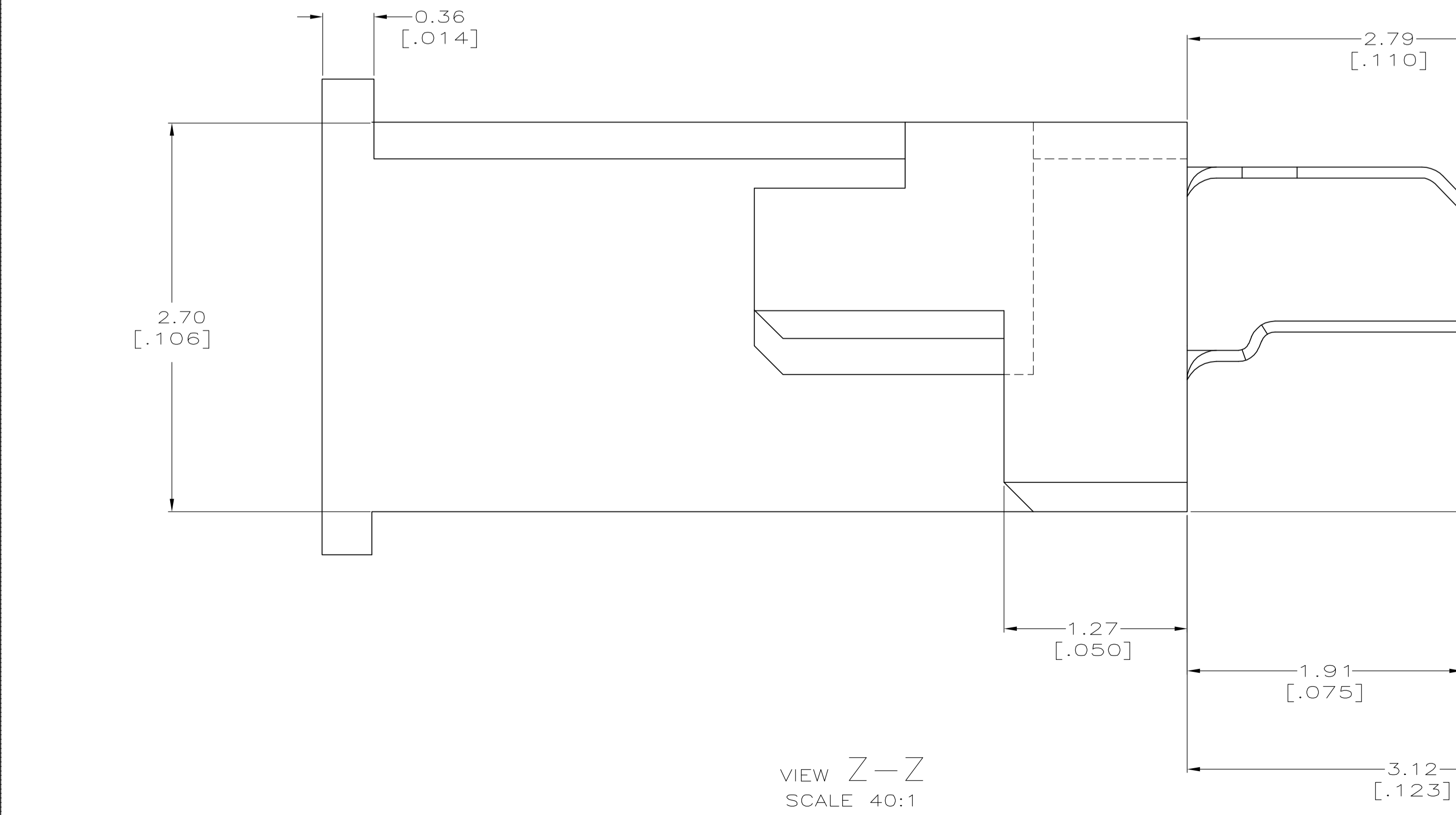
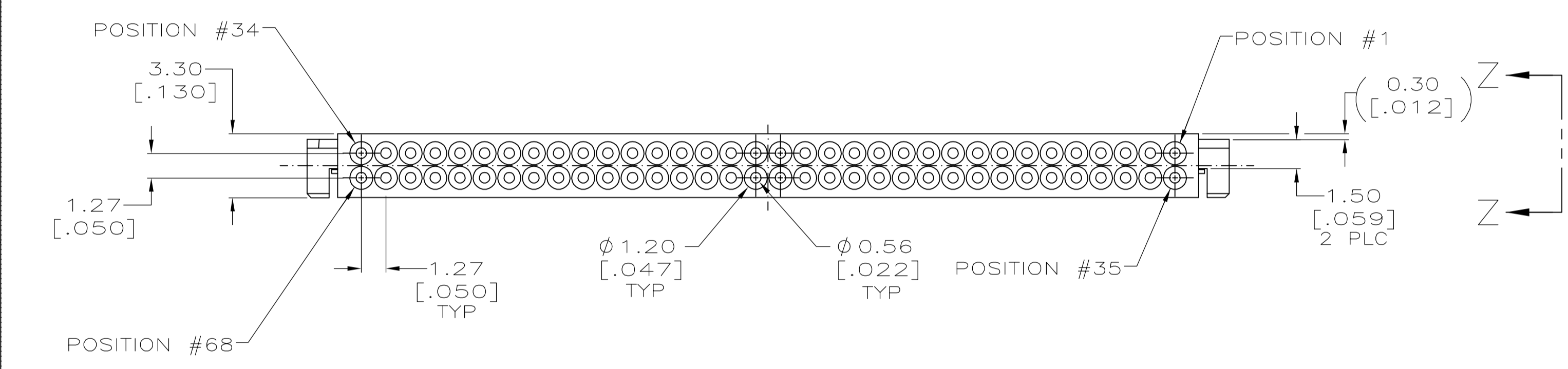
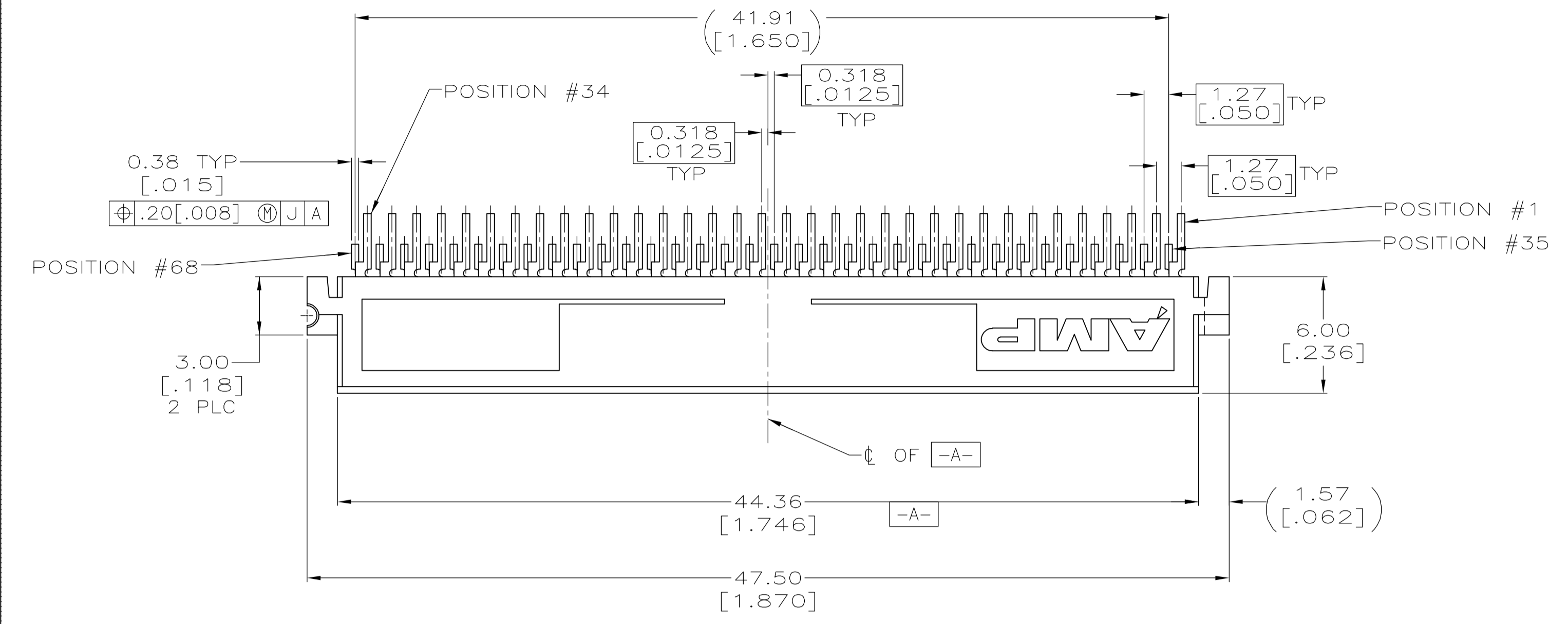
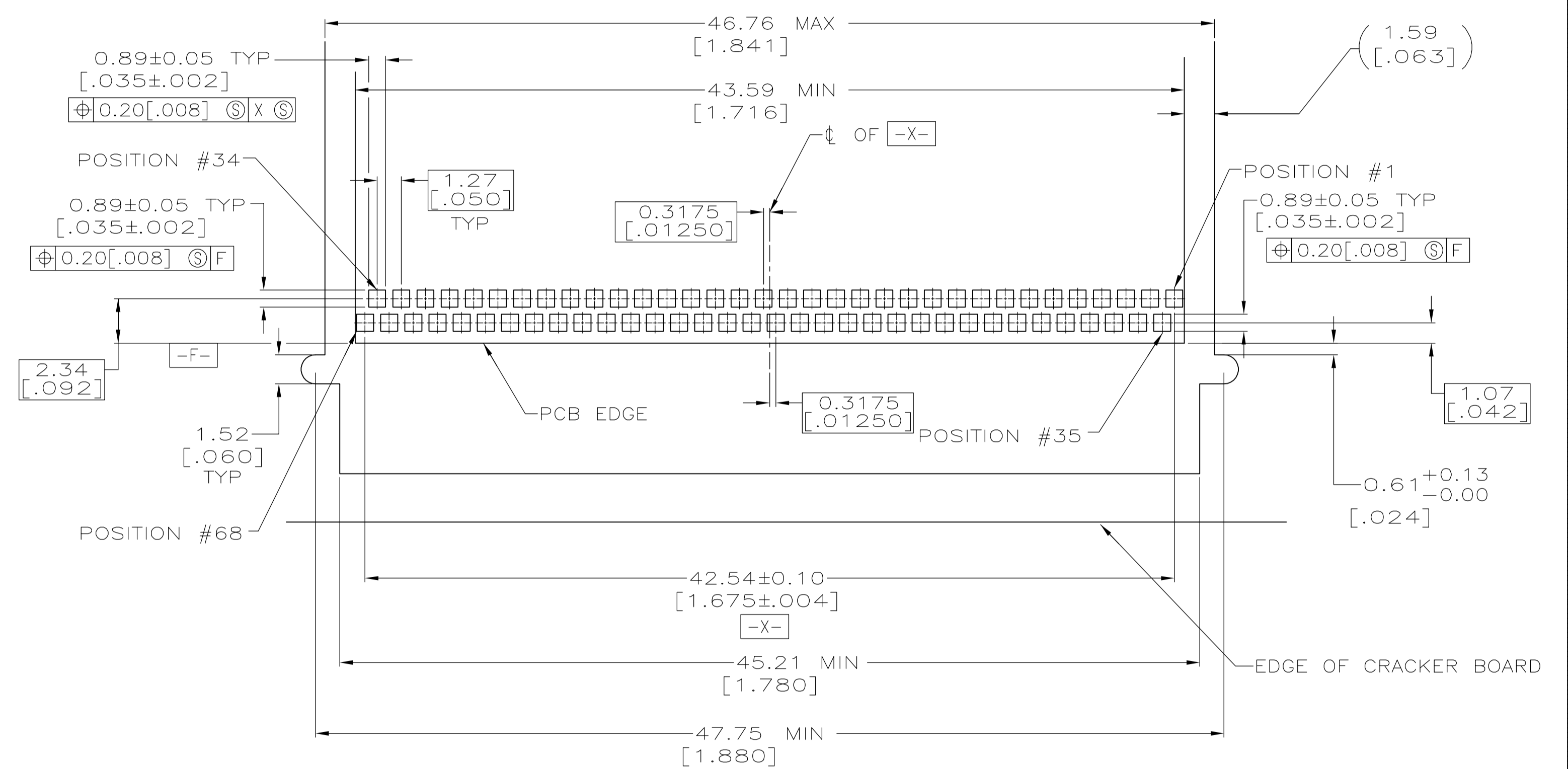


LOC		DIST		REVISIONS			
GP	00	P	LTR	DESCRIPTION	DATE	DWN	APVD
		0		RELEASED PER EC 0513-0006-05	02-16-05	LV	JG

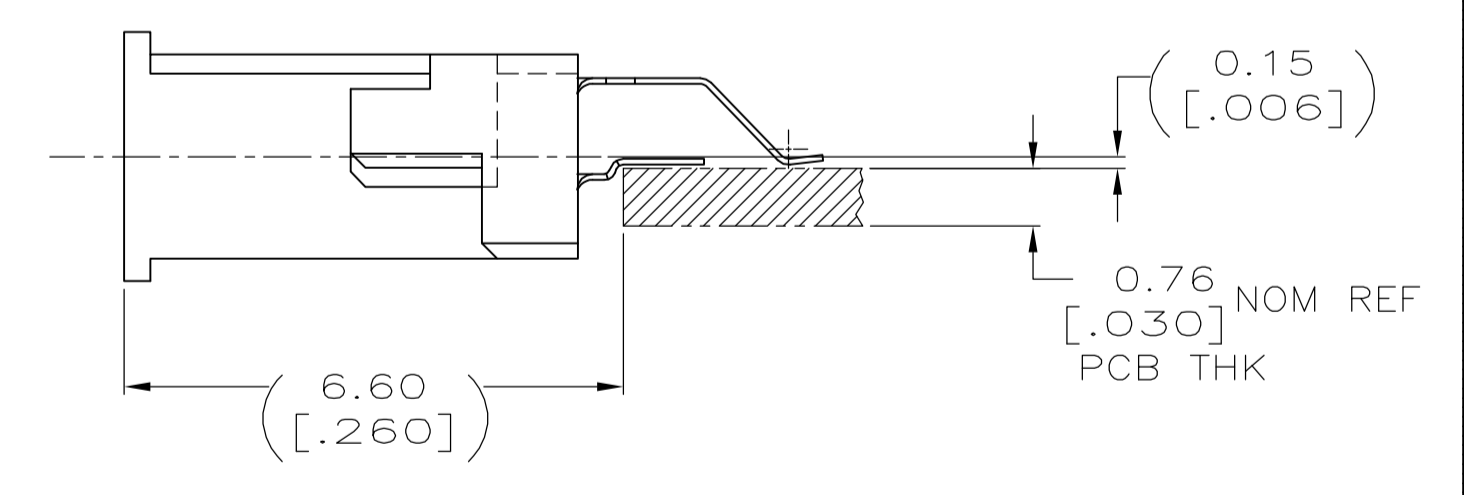
- ① HOUSING: LCP, GLASS FILLED, COLOR: BLACK.
- ② CONTACTS: BERYLLIUM COPPER.
- ③ DIMENSION IN REFERENCE TO LOWEST POINT OF EACH LEAD.
- ④ POINT OF CONTACT 2.3[.091] REF FROM MATING FACE.
- ⑤ APPLIES TO ALL SOLDER TAILS.
- ⑥ PACKAGED IN 56mm WIDE TAPE AND PLASTIC REEL.
- ⑦ PACKAGED IN 72mm WIDE TAPE AND PLASTIC REEL.
- ⑧ CONTACTS: 0.00076[.000030] MINIMUM GOLD ON MATING AREA, 0.00064[.000025] MINIMUM SEMI-BRIGHT NICKEL ON MATING AREA, 0.00254[.000100] MINIMUM MATTE TIN ON SOLDER TAIL, ALL OVER 0.00127 [.000050] MINIMUM MATTE NICKEL.



VIEW Z-Z
SCALE 40:1



RECOMMENDED PC BOARD LAYOUT



PC BOARD LOCATION (REF)
SCALE: 10:1

①	5146835-4
②	5146835-3
PACKAGING	PART NUMBER

**COPYRIGHT 2005
 TYCO ELECTRONICS CORP
 ALL RIGHTS RESERVED**

THIS DRAWING IS A CONTROLLED DOCUMENT.		DIN L VARELA - DOCKS 02-16-05		Tyco Electronics Corporation Harrisburg, PA 17105-3608	
DIMENSIONS: mm[inches]		CHK D GORENC 02-16-05		NAME M WALMSLEY 02-16-05	RECEPTACLE ASSEMBLY, SURFACE MOUNT, 68 POSITION, 0.15mm/.006in OFFSET, AMP MEMORY CARD
TOLERANCES UNLESS OTHERWISE SPECIFIED:		PRODUCT SPEC		APPLICATION SPEC	
0 PLC ± -	1 PLC ± -	SIZE		CAGE CODE	
2 PLC ± 0.13[.005]	3 PLC ± -	DRAWING NO		RESTRICTED TO	
4 PLC ± -	ANGLES ± ± 0° 30'	A1 00779		5146835	
MATERIAL		WEIGHT		CUSTOMER DRAWING	
FINISH		SCALE 5:1		SHEET 1 OF 1	